

# **Flux Furniture Specification Guide**

# Flux ARC

The flux ARC is the ultimate foldable design bar. Multiple ARC units can be linked together to form a long bar or one unit can be used as a counter or small bar. The ARC has plenty of storage space and it is super strong! Best of all, when folded flat you can just transport it in your car. A stack of 20 arc bars is only 70 cm high, how's that for efficient storage?!

## Customisable

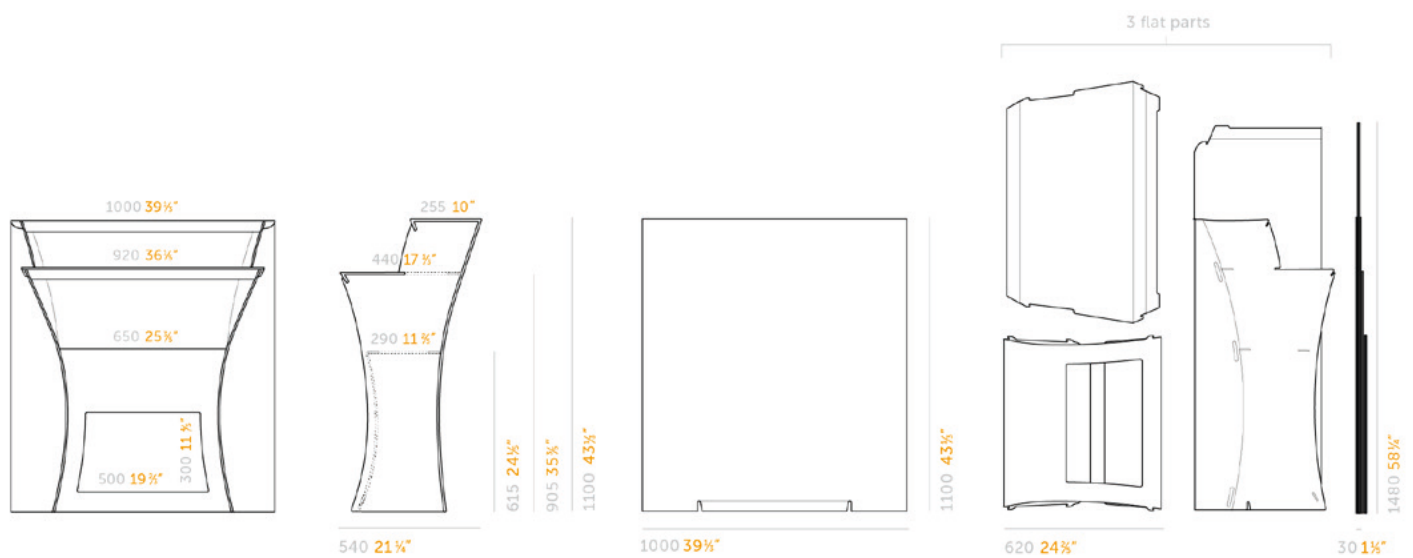
- Printable, exchangeable banner or stickering.

## Specifications

- Material: Polypropylene
- Weight: 16 kg
- Max. Load: 50 kg
- Colours: White or black

## Accessories

- Bag to carry up to 3 ARC's, ARC link, to link multiple ARCs



# Flux Chair

The flux chair. Our award-winning Dutch design. Looks like a giant envelope; turns into a designer chair. Simple. One craftily cut sheet of sustainable polypropylene; six colours to choose from; zero tools necessary.

## Customisable

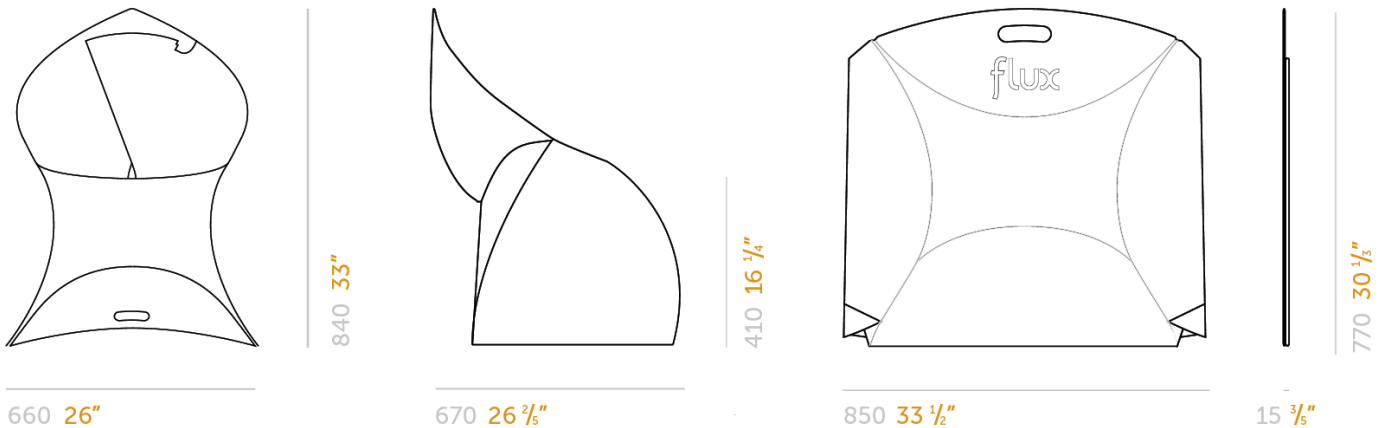
- Printing or stickering

## Specifications

- Material: Polypropylene (4 mm thick)
- Weight: 5 kg
- Max Load: 160 kg
- Colours: White, black, anthracite grey, pebble grey, orange, red

## Accessories

- Our new flux chair pads are not only comfortable but also easy to store and easy to clean! The pad is small enough to fit inside the folded chair and the cover is removable for machine washing. Available in red, back and anthracite.



# Flux Coffee Table

The flux coffee table is a stylish low table that matches the flux chair perfectly, or any other chair for that matter.

Each table is made of weather proof polypropylene, fully customisable by embossing. It's available in the sizes large and small, that both fold down to a super flat package. Perfect for your events or as an elegant lounge table in your garden or urban roof terrace.

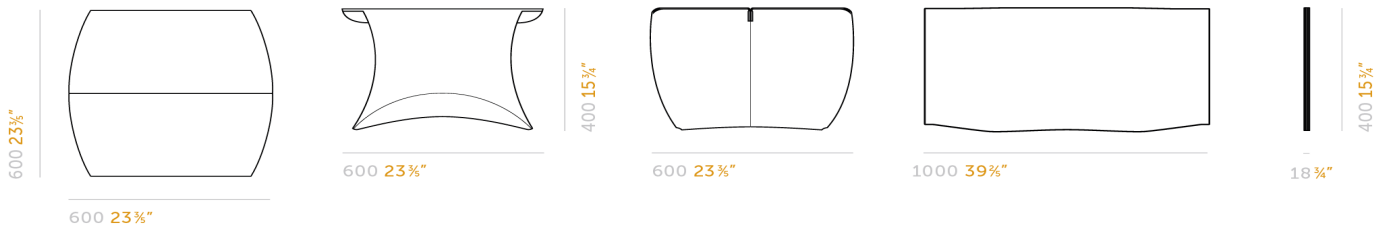
## Customisable

- Embossing, printing or stickering

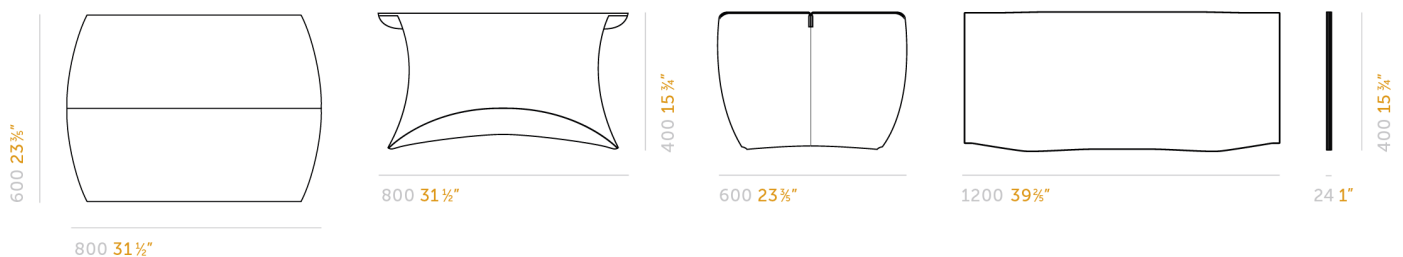
## Specifications

- Material: Polypropylene
- Weight: 4.8 kg (small) 6.6 kg (large)
- Max Load: 50 kg
- Colours: White or Black

## Small Coffee Table



## Large Coffee Table



# Flux Column

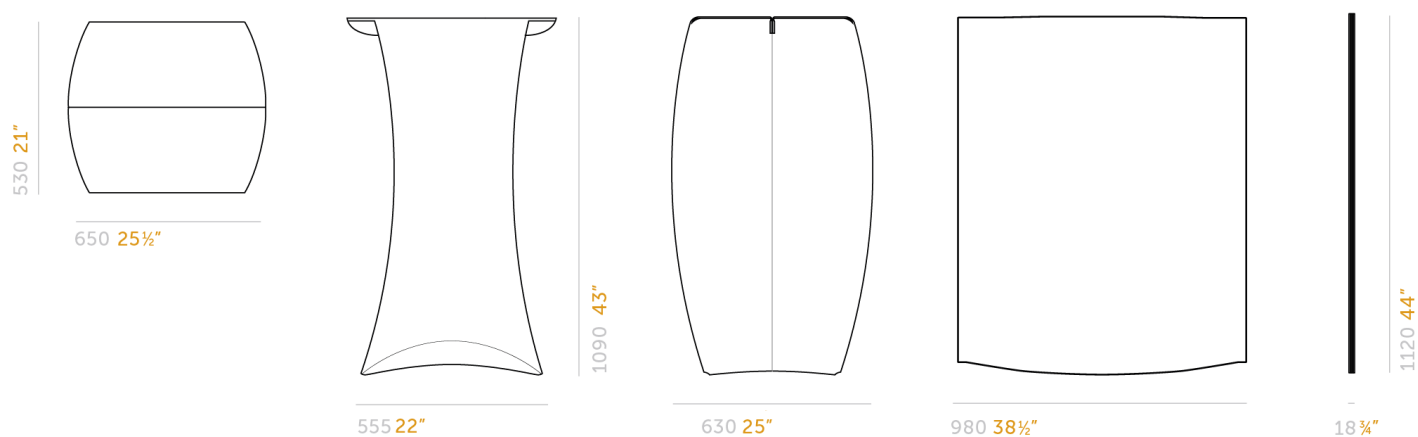
The Column is the perfect companion for any party, presentation or other occasion. The column folds flat to an easy to handle format and can be stored anywhere. No more cleaning and replacing of table skirts that are required for conventional foldable high tables the Polypropylene material is easy to clean and very durable in use.

## Customisable

- Embossing, printing or stickering

## Specifications

- Material: Polypropylene (4 mm thick)
- Weight: 11 kg
- Max Load: 90 kg
- Colours: White or Black (coloured through)



# Flux Pillar

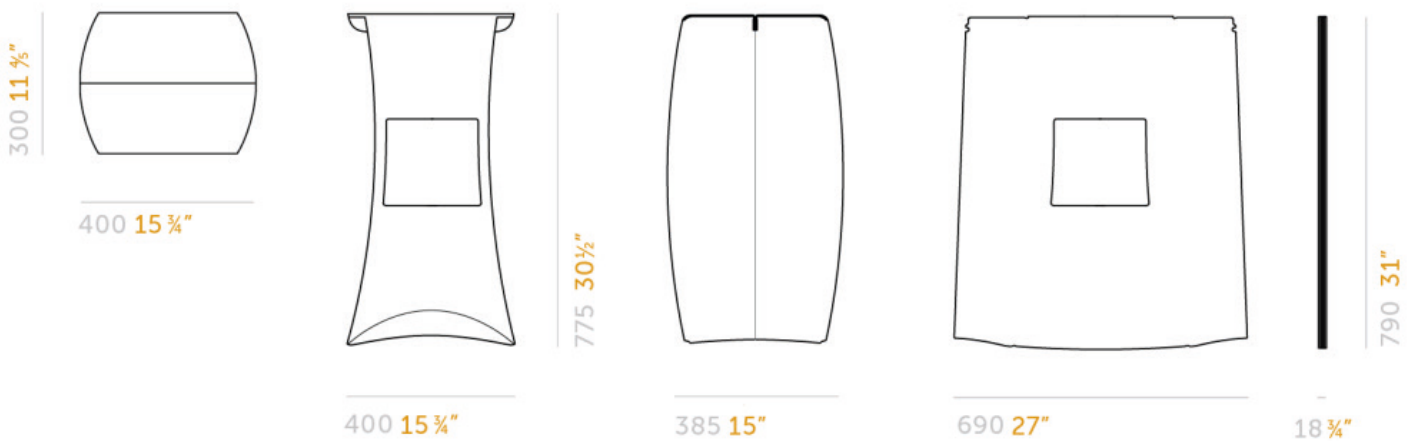
With the same gentle curves and silk matte finish, the flux pillar is the perfect companion for our flux column. You can put your feet up on the footrest for extra comfort and – like all flux products – fold it down to a flat package that takes up little space in transport and storage.

## Customisable

- Embossing, printing or stickering

## Specifications

- Material: Polypropylene (4 mm thick)
- Weight: 5 kg
- Max Load: 140 kg
- Colour: White or Black (coloured through)



# Flux Pop

The flux pop is a smart, multi-tasking little box of design goodness. And it comes in 7 stylish colours.

### Specifications

- Material: Polypropylene (3 mm thick)
- Weight: 2.3 kg
- Max Load: 140 kg



# Flux Tablet Tower

## Customisable

- Embossing, printing or stickering.

## Specifications

- Material: Polypropylene
- Weight: 6.7 kg
- Max Load: NA
- Colours: White or Black

## Available for

- iPad
- Galaxy Tab
- Other tablets on request

